

Gasoline containing up to 10% ethanol (E10) is acceptable for use in this machine. The use of any gasoline exceeding 10% ethanol (E10) will void the product warranty.

Parts Manual

RZ3016 / 966612301



Please read the operator manual carefully and make sure you understand the instructions before using the machine.

When you need spare parts or support in service questions, warranty issues, etc., please consult the following professional:

This Parts Manual belongs to the machine with the manufacturing number:	Engine	Transmission

Manufacturing Number

The machine's manufacturing number can be found on the printed plate affixed to the engine compartment. Illustration shown with engine removed.

Stated on the plate, from the top are:

- The machine's type designation (I.D.).
- The manufacturer's type number (Model).
- The machine's serial number (Serial no.)

Please have the type designation and serial number available when ordering spare parts.

The engine's manufacturing number is stamped on one of the valve covers.

The plate states:

- The engine's model.
- The engine's type.
- Code

Please have these available when ordering spare parts.

The wheel motors and hydrostatic pumps have a barcode decal affixed at the rear.

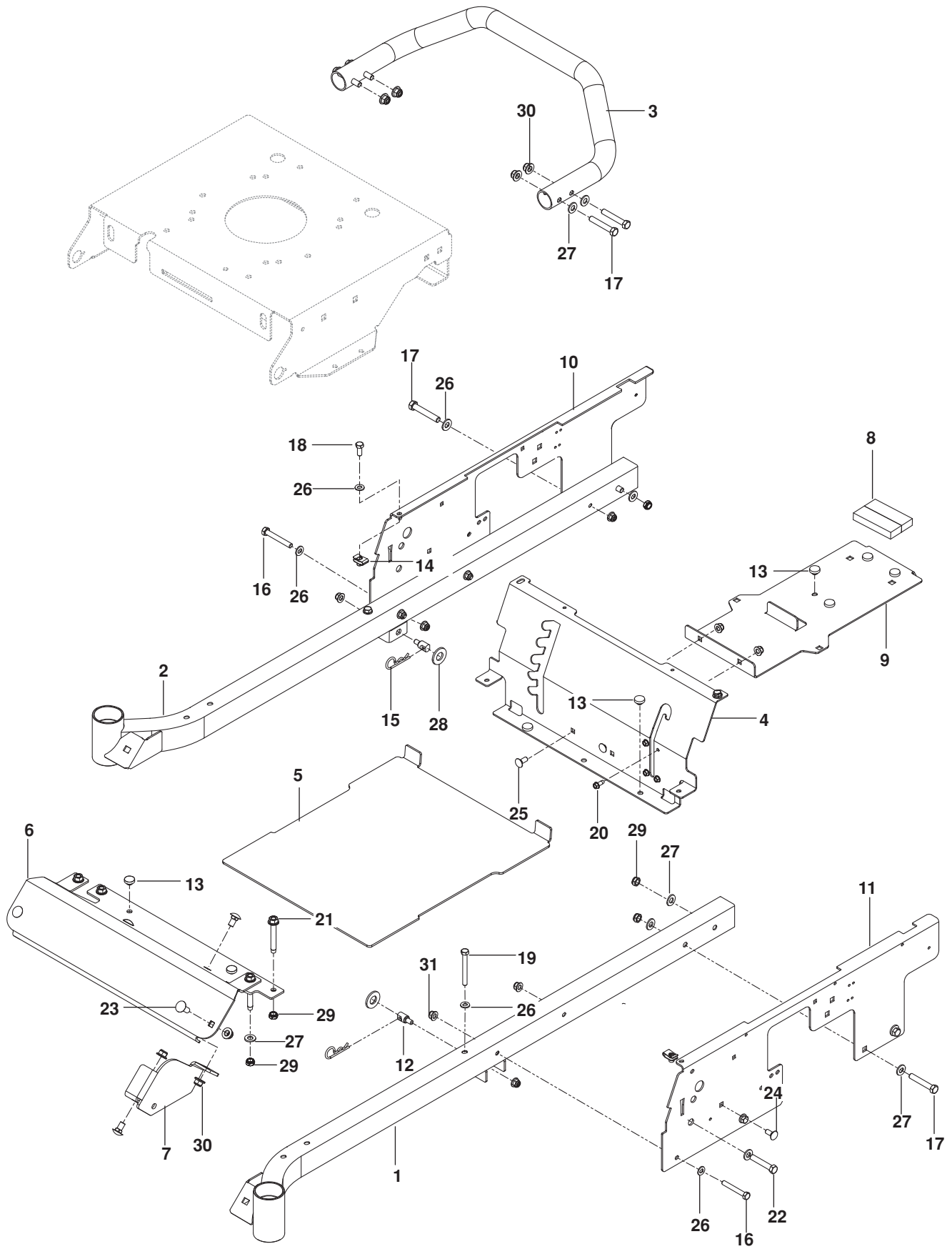
Accessories Available	
Collection System.....	966 476901
Mulch Kit.....	960 170025

CONTENTS

FRAME.....	4
ENGINE PLATE.....	6
STEERING	8
IGNITION SYSTEM.....	10
HYDRAULIC PUMP / MOTOR	12
WHEELS / TIRES	14
BRAKE / DECK LIFT	16
MOWER DECK / CUTTING DECK.....	18
SEAT	20
DECALS.....	22
ACCESSORIES	
BAGGER	24
MOUNTS, CHUTES, WEIGHTS.....	26
MULCH KIT	28

NOTE: ALL FASTENERS ARE GRADE 5 UNLESS OTHERWISE SPECIFIED.

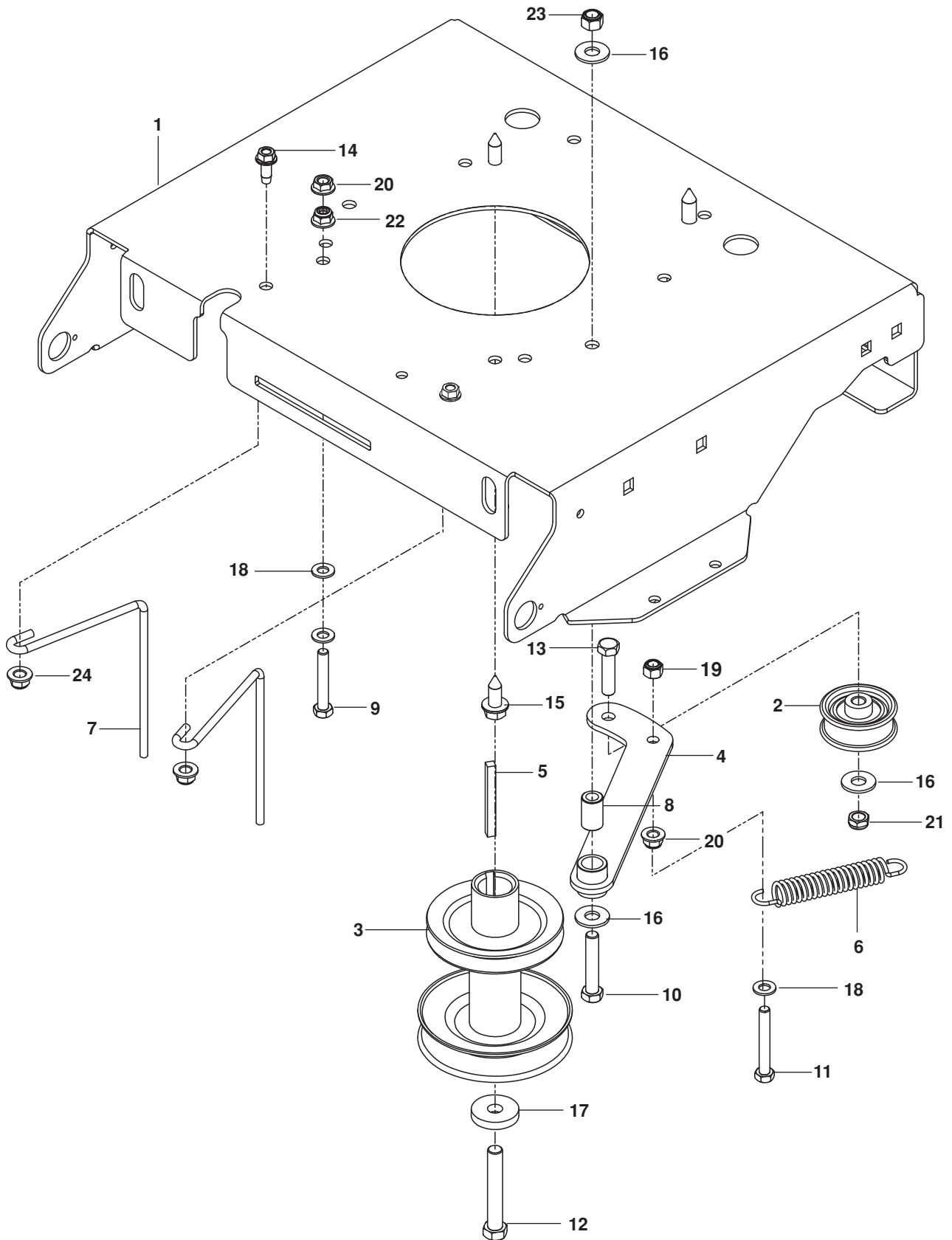
FRAME



FRAME

ITEM	PART NO.	QTY.	DESCRIPTION	ITEM	PART NO.	QTY.	DESCRIPTION
1..	525 454702....1	FRAME TUBE, LT ORG	17..	874 780636....8	HCS $\frac{3}{8}$ -16 x 2 $\frac{1}{4}$
2..	525 454902....1	FRAME TUBE, RT ORG	18..	874 780512....2	HCS $\frac{5}{16}$ -18 x $\frac{3}{4}$
3..	525 865902....1	BAR, IMPACT ORG	19..	874 780544....2	HCS $\frac{5}{16}$ -18 x 2 $\frac{3}{4}$
4..	575 852102....1	PANEL, SEAT SUPPORT ORG	20..	817 490410....4	SCREW $\frac{1}{4}$ -20 x $\frac{5}{8}$ SLF TAP
5..	576 452401....1	FOOT PLATE w/DECALS ORG	21..	874 490644....4	HHFS $\frac{3}{8}$ -16 x 2 $\frac{3}{4}$
6..	525 835902....1	FOOT REST ORG	22..	874 780844....2	HCS $\frac{1}{2}$ -13 x 2 $\frac{3}{4}$
7..	525 605502....1	BRACKET, FRONT DECK BLK	23..	872 140608....2	RHSNB $\frac{3}{8}$ -16 x 1
8..	539 110290....2	FOAM STRIP	24..	872 140606....2	RHSNB $\frac{3}{8}$ -16 x $\frac{3}{4}$
9..	525 798402....1	SUPPORT, TANK BLK	25..	872 140506....2	RHSNB $\frac{5}{16}$ -18 x $\frac{3}{4}$
10..	575 328402....1	PLATE, RT ORG	26..	819 111116..10	WASHER $\frac{5}{16}$ SAE FLT
11..	575 328302....1	PLATE, LT ORG	27..	819 131316..16	WASHER $\frac{3}{8}$ SAE FLT
12..	532 195161....2	STUD w/ ANTI-ROTATE	28..	819 212113....2	WASHER $\frac{5}{8}$ SAE FLT
13..	539 102587....8	GROMMET, BUMPER	29..	539 200282....8	NUT $\frac{3}{8}$ -16 HEX JAM NYLOC
14..	539 104763....4	RETAINER, U TYPE	30..	521 996501....7	NUT $\frac{3}{8}$ -16 HEX FLG NYLOC
15..	539 976989....2	HAIRPIN	31..	539 112899....6	NUT $\frac{5}{16}$ -18 HEX FLG NYLOC
16..	874 780536....4	HCS $\frac{5}{16}$ -18 x 2 $\frac{1}{4}$				

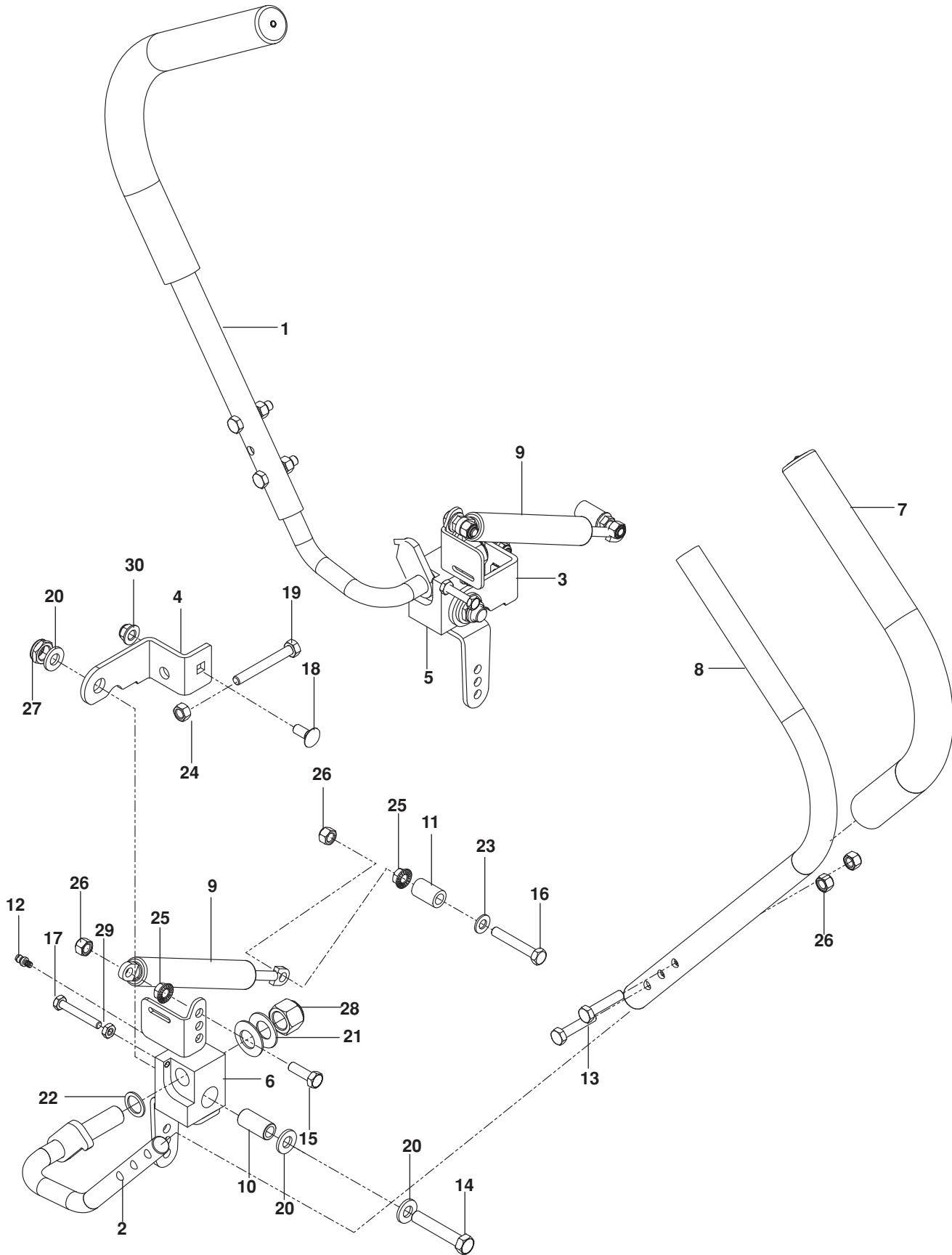
ENGINE PLATE



ENGINE PLATE

ITEM	PART NO.	QTY.	DESCRIPTION	ITEM	PART NO.	QTY.	DESCRIPTION
1..	525 462606....	1PLATE, ENGINE ORG	13..	874 780624....	1HCS $\frac{3}{8}$ -16 x 1 $\frac{1}{2}$
2..	539 120812....	1PULLEY, IDLER	14..	817 490616....	2BOLT $\frac{3}{8}$ -16 x 1 THD FRM
3..	574 872801....	1PULLEY, ENGINE	15..	817 120616....	3SCREW $\frac{3}{8}$ -16 x 1 THD FRM
4..	539 120990....	1IDLER, BLK	16..	819 141614....	3WASHER $\frac{3}{8}$ FLAT STD
5..	539 917033....	1KEY $\frac{1}{4}$ SQ x 2 $\frac{1}{2}$ LG	17..	539 115546....	1WASHER
6..	539 116350....	1SPRING 3 $\frac{1}{2}$	18..	819 111116....	3WASHER $\frac{5}{16}$ SAE FLAT
7..	574 172901....	2GUIDE, BELT	19..	873 800500....	1NUT $\frac{5}{16}$ -18 HEX NYLOC
8..	539 115270....	1BUSHING, METAL	20..	539 990585....	2NUT $\frac{5}{16}$ -18 HEX WHIZLK
9..	539 108395....	1HCS $\frac{5}{16}$ -18 x 2	21..	539 200282....	1NUT $\frac{3}{8}$ -16 HEX JAM NYLOC
10..	874 780632....	1HCS $\frac{3}{8}$ -16 x 2	22..	539 112899....	1NUT $\frac{5}{16}$ -18 HEX FLG NYLOC
11..	874 780536....	1HCS $\frac{5}{16}$ -18 x 2 $\frac{1}{4}$	23..	539 976979....	1NUT $\frac{3}{8}$ -16 HEX NYLOC
12..	539 110065....	1HCS $\frac{7}{16}$ -20 x 2 $\frac{3}{4}$	24..	521 996501....	2NUT $\frac{3}{8}$ -16 HEX FLG NYLOC

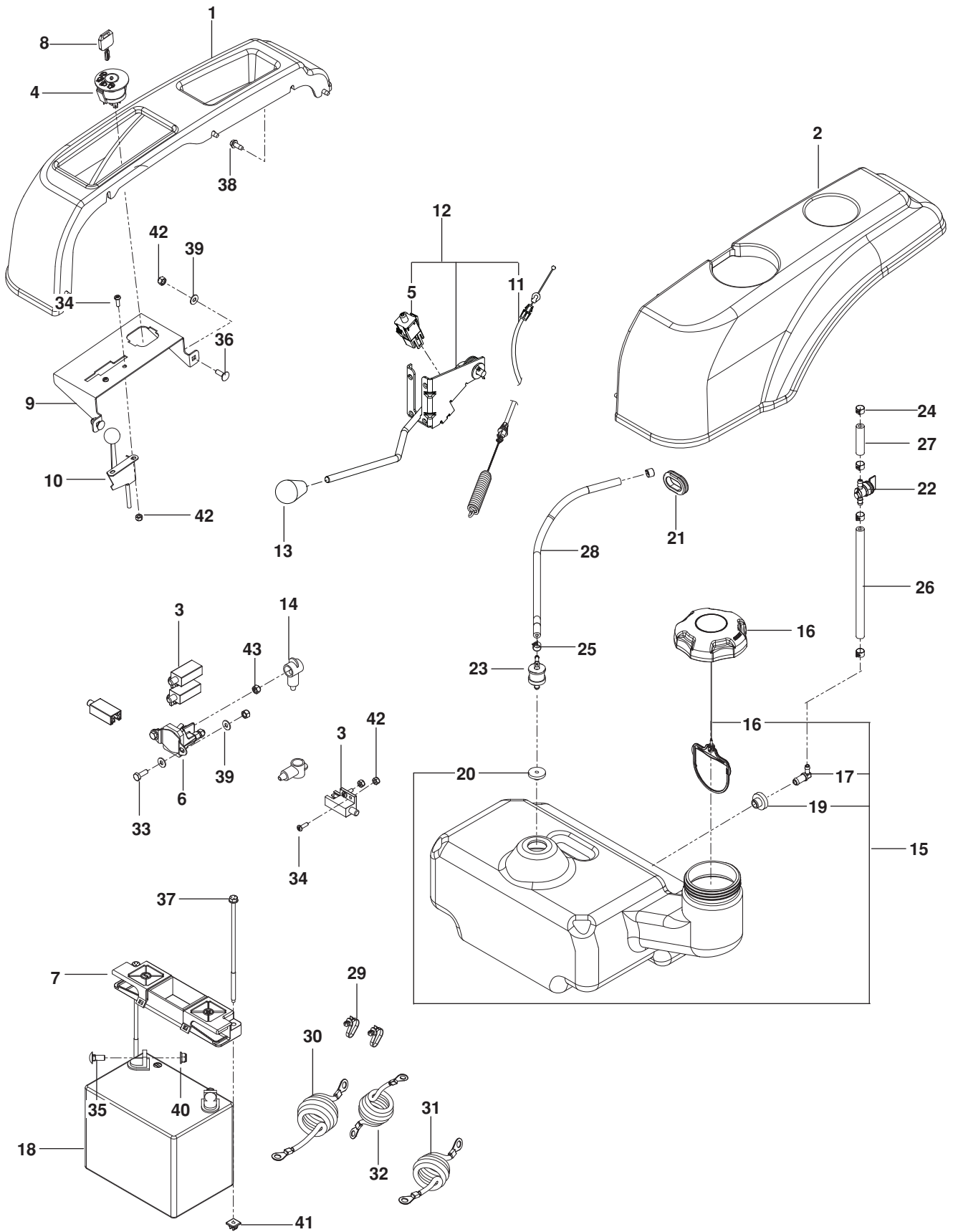
STEERING



STEERING

ITEM	PART NO.	QTY.	DESCRIPTION	ITEM	PART NO.	QTY.	DESCRIPTION
1..	539 120159....1	LOWER LEVER, RT	16..	874 780532....2	HCS $\frac{5}{16}$ -18 x 2
2..	539 120162....1	LOWER LEVER, LT	17..	874 780428....2	HCS $\frac{1}{4}$ -20 x $1\frac{3}{4}$
3..	539 117949....1	SUPPORT, STEER CNTRL RT	18..	872 140506....2	RHSNB $\frac{5}{16}$ -18 x $\frac{3}{4}$
4..	539 117950....1	SUPPORT, STEER CNTRL LT	19..	874 780540....2	HCS $\frac{5}{16}$ -18 x $2\frac{1}{2}$ TPBLT
5..	539 120984....1	PIVOT, RT	20..	819 171713....6	WASHER $\frac{1}{2}$ SAE
6..	539 120983....1	PIVOT, LT	21..	539 911121....4	WASHER $\frac{5}{8}$ BELLEVILLE
7..	539 120899....2	GRIP	22..	539 115570....2	WASHER, SPECIAL
8..	539 120160....2	LEVER, UPPER	23..	819 111116....2	WASHER $\frac{5}{16}$ SAE FLT
9..	539 114453....2	DAMPENER	24..	873 220500....2	NUT $\frac{5}{16}$ -18 HEX
10..	539 120956....2	BUSHING $\frac{1}{2}$ ID x $\frac{3}{4}$ OD	25..	539 990585....2	NUT $\frac{5}{16}$ -18 HEX WHIZLK
11..	539 119087....2	BUSHING	26..	873 800500....8	NUT $\frac{5}{16}$ -18 HEX NYLOC
12..	539 115638....2	ZERK	27..	539 108010....2	NUT $\frac{1}{2}$ -13 JAM NYLOC GR 2
13..	874 780524....4	HCS $\frac{5}{16}$ -18 x $1\frac{1}{2}$	28..	539 110340....2	NUT $\frac{5}{8}$ -11 NYLOC
14..	874 780844....2	HCS $\frac{1}{2}$ -13 x $2\frac{3}{4}$	29..	873 350400....2	NUT $\frac{1}{4}$ -20 JAM
15..	874 780516....2	HCS $\frac{5}{16}$ -18 x 1	30..	539 112899....2	NUT $\frac{5}{16}$ -18 HEX FLG NYLOC

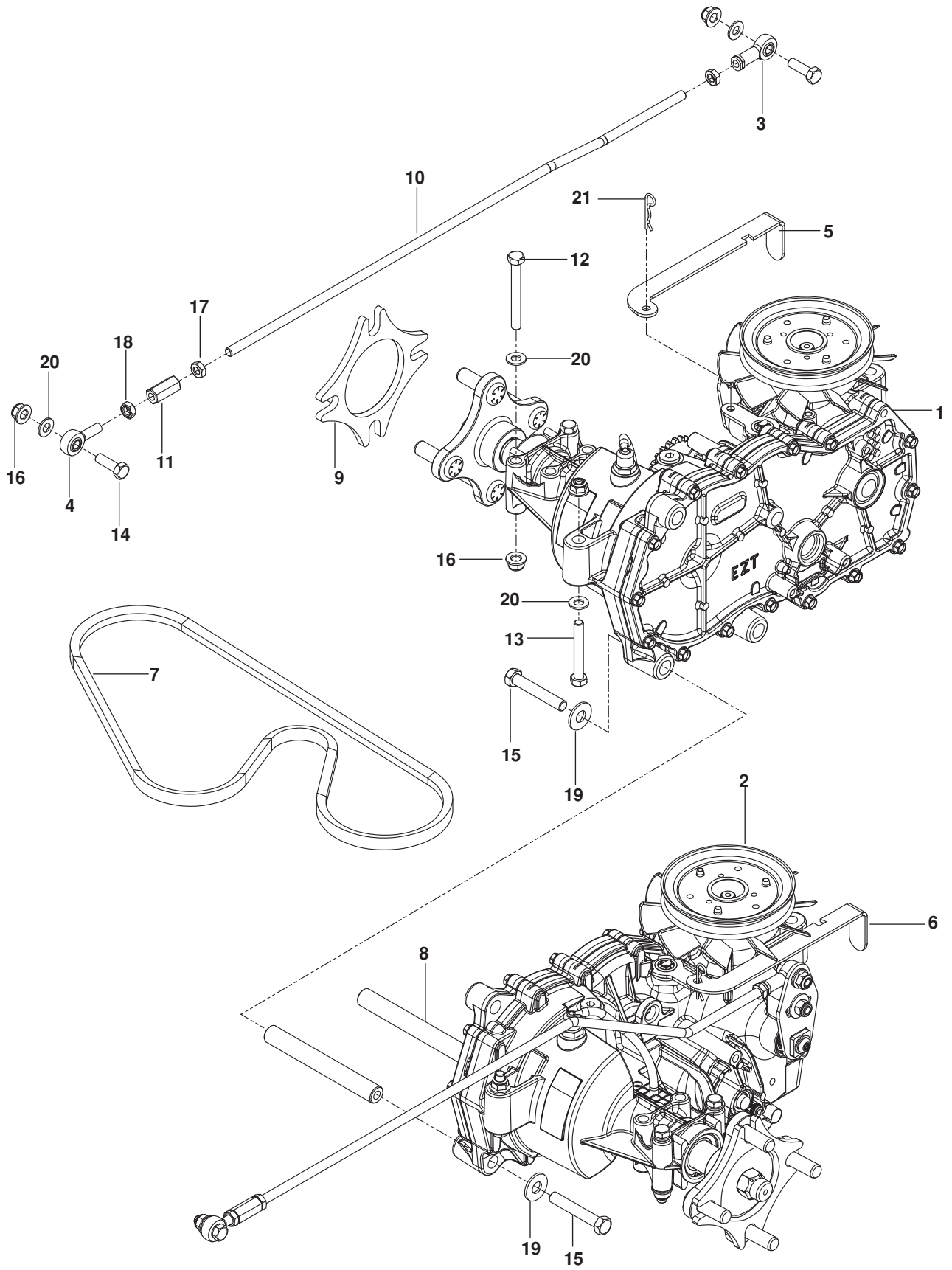
IGNITION SYSTEM



IGNITION SYSTEM

ITEM	PART NO.	QTY.	DESCRIPTION	ITEM	PART NO.	QTY.	DESCRIPTION
1..	525 594701....	1	FENDER, RT	24..	539 912222....	4	CLAMP, HOSE
2..	525 594702....	1	FENDER, LT	25..	575 436501....	2	CLAMP, HOSE
3..	532 109553....	4	SWITCH	26..	539 115736....	1	HOSE 1/4 x 8
4..	539 107541....	1	SWITCH, IGNITION	27..	539 121486....	1	HOSE, 1/4 x 2
5..	532 176138....	1	SWITCH, INTERLOCK	28..	574 521305....	1	HOSE, FUEL, 3/16" x 20"
6..	539 101714....	1	SOLENOID	29..	505 280001....	2	WIRE TIE w/ CLIP
7..	539 107628....	1	HOLD DOWN, BATTERY	30..	539 104974....	1	CABLE, POSITIVE 31"
8..	532 140401....	1	KEY, IGNITION	31..	539 103306....	1	CABLE, POSITIVE 19"
9..	525 598601....	1	PANEL, CONTROL	32..	539 110068....	1	CABLE, NEGATIVE 25"
10..	585 974901....	1	CABLE, THROTTLE	33..	874 780412....	2	HCS 1/4-20 x 3/4
11..	585 053801....	1	CABLE, CLUTCH	34..	539 976952..	10	SCREW #10-24 x 5/8
12..	585 057901....	1	CLUTCH ASSY w/ CABLE	35..	872 140506....	2	RHSNB 5/16-18 x 3/4
13..	539 132624....	1	KNOB, CLUTCH	36..	872 110406....	2	RHSNB 1/4-20 x 3/4 GR 2
14..	539 116400....	3	TERMINAL COVER, SM	37..	532 45211.....	2	BOLT 1/4 x 7 1/2
15..	576 646403....	1	TANK ASSY, FUEL	38..	817 490410..	10	SCREW 1/4-20 x 5/8 SLF TAP
16..	575 018101....	1	CAP, FUEL w/ TETHER	39..	819 091016....	4	WASHER 1/4 FLT SAE
17..	539 110432....	1	ELBOW	40..	539 112899....	2	NUT 5/16-18 HEX FLG NYLOC
18..	539 102436....	1	BATTERY	41..	539 107629....	2	NUT 1/4 PUSH NYLON
19..	539 105245....	1	GROMMET, TANK	42..	539 976977..	10	NUT #10-24 HEX NYLOC
20..	576 618201....	1	GROMMET, CHECK VALVE	43..	873 800400....	4	NUT 1/4-20 HEX NYLOC
21..	539 105974....	1	GROMMET, RUBBER	NOT SHOWN			
22..	539 916325....	1	VALVE, FUEL	525 744301....	1	WIRING HARNESS	
23..	576 618101....	1	VALVE, FUEL CHECK				

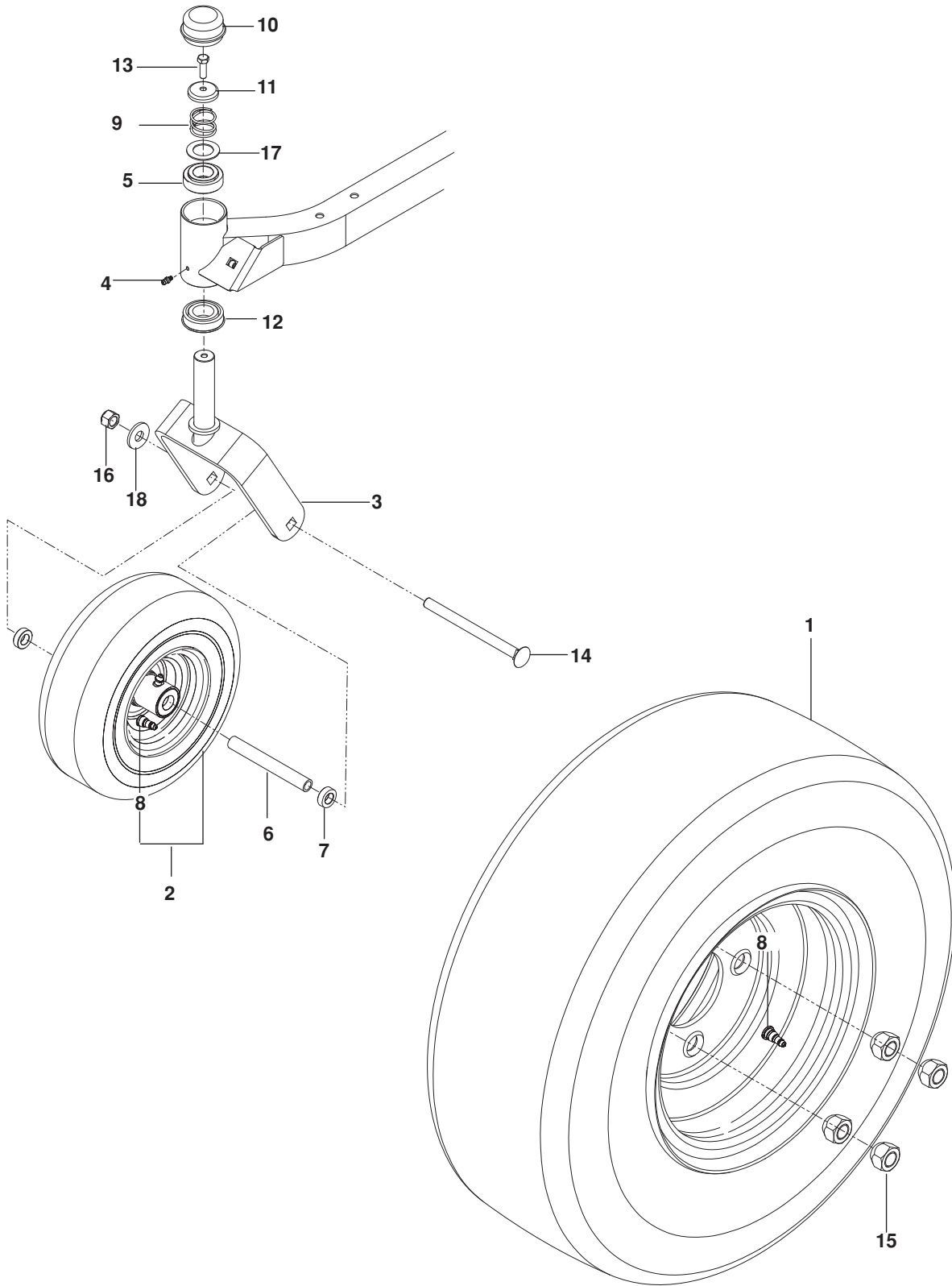
HYDRAULIC PUMP / MOTOR



HYDRAULIC PUMP / MOTOR

ITEM	PART NO.	QTY.	DESCRIPTION	ITEM	PART NO.	QTY.	DESCRIPTION
1..	539 120152....	1 HYDRO, RH	12..	874 780544....	4 HCS $\frac{5}{16}$ -18 x 2 $\frac{3}{4}$
2..	539 120153....	1 HYDRO, LH	13..	874 780536....	2 HCS $\frac{5}{16}$ -18 x 2 $\frac{1}{4}$
3..	539 115729....	2 ROD END, RH	14..	874 780516....	4 HCS $\frac{5}{16}$ -18 x 1
4..	539 116690....	2 ROD END, MALE LH	15..	874 780636....	4 HCS $\frac{3}{8}$ -16 x 2 $\frac{1}{4}$
5..	539 120157....	1 RELEASE HANDLE, RH	16..	539 112899..	10 NUT $\frac{5}{16}$ -18 HEX FLG NYLOC
6..	539 120156....	1 RELEASE HANDLE, LH	17..	873 360500....	4 NUT $\frac{5}{16}$ -24 HEX JAM
7..	575 852401....	1 BELT, EZT	18..	873 700500....	2 NUT $\frac{5}{16}$ -24 HEX JAM LH
8..	574 356501....	2 SPACER, HYDRO	19..	819 141614....	4 WASHER $\frac{3}{8}$ STD FLT
9..	539 114804....	2 SPACER, WHEEL	20..	819 111116..	10 WASHER $\frac{5}{16}$ SAE FLT
10..	539 120169....	2 ROD, CONTROL	21..	539 976988....	2 HAIRPIN COTTER
11..	539 116689....	2 ROD END COUPLER				

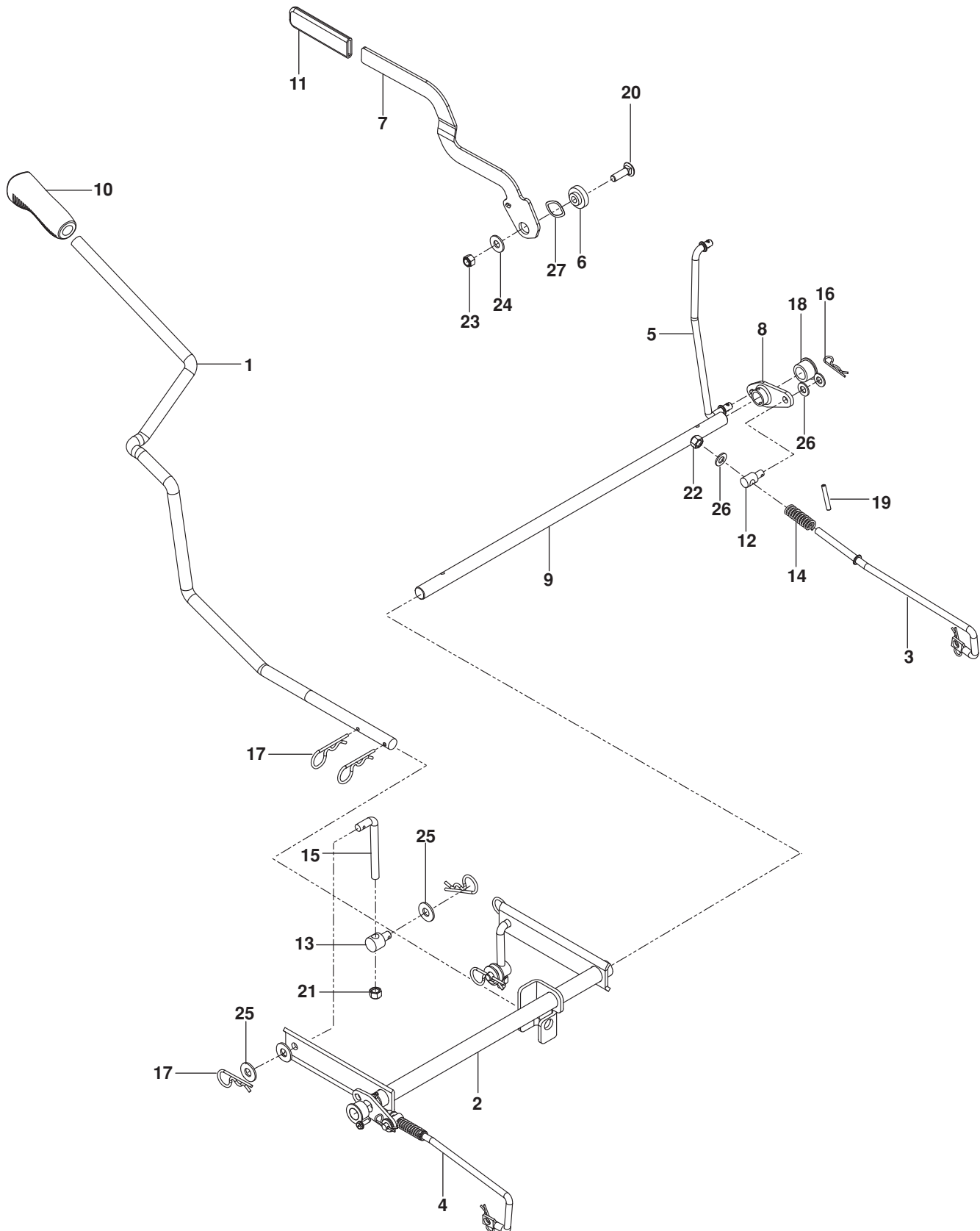
WHEELS / TIRES



WHEELS / TIRES

ITEM	PART NO.	QTY.	DESCRIPTION	ITEM	PART NO.	QTY.	DESCRIPTION
1..	581 199001....2	WHEEL ASSY REAR	10..	539 102535....2	CAP, GREASE
2..	581 199701....2	CASTER TIRE ASSY	11..	539 115749....2	PLUG, CASTER
3..	510 186501....2	YOKE, CASTER ORG	12..	539 112660....2	BEARING, FLANGED
4..	539 115638....2	ZERK	13..	874 950516....2	HHB $\frac{5}{16}$ -18 x 1 NYLOC
5..	539 117901....2	BUSHING, CASTER	14..	721 408104....2	RHSNB $\frac{1}{2}$ -13 x $6\frac{1}{2}$
6..	539 105543....2	SPACER	15..	539 101173....8	NUT $\frac{1}{2}$ -20 LUG
7..	539 114805....4	SPACER $\frac{5}{16}$	16..	539 200100....2	NUT $\frac{1}{2}$ HEX CNTRLK
8..	539 912234....4	VALVE	17..	873 930800....2	WASHER
9..	539 115747....2	SPRING, CASTER	18..	819 182212....2	WASHER $\frac{1}{2}$ FLAT

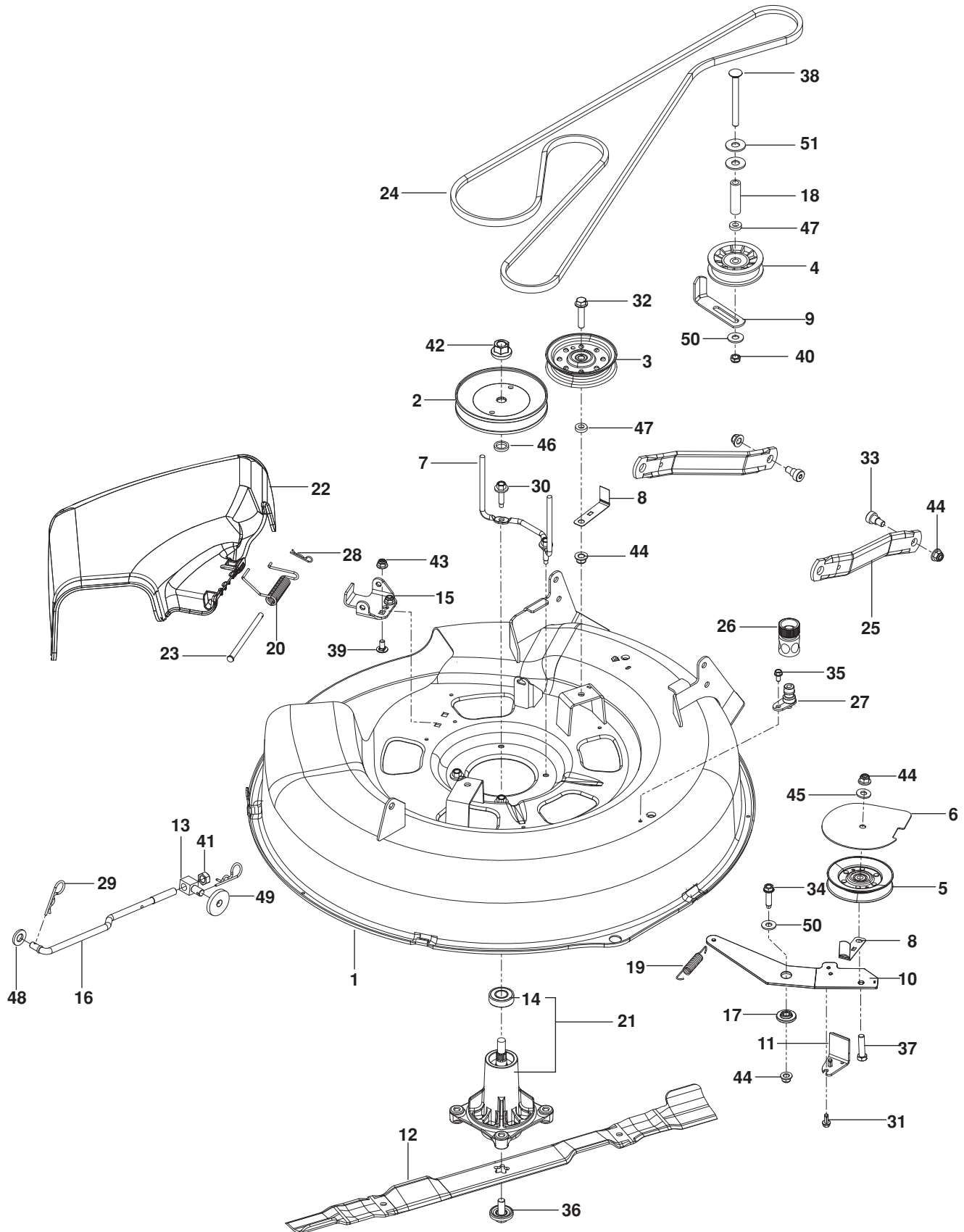
BRAKE / DECK LIFT



BRAKE / DECK LIFT

ITEM	PART NO.	QTY.	DESCRIPTION	ITEM	PART NO.	QTY.	DESCRIPTION
1..	525 580402....	1 HANDLE, LIFT BLK	15..	539 115658....	2 L-ROD 3½"
2..	525 580604....	1 SHAFT, LIFT BLK	16..	539 976988....	4 HAIRPIN COTTER
3..	525 583601....	1 LINKAGE, BRAKE RT	17..	539 976989....	6 HAIRPIN
4..	525 583701....	1 LINKAGE, BRAKE LT	18..	539 109368....	2 BUSHING, PLASTIC
5..	525 735701....	1 LINKAGE, UPPER	19..	539 101082....	2 PIN 3/16 x 1¼ ROLL
6..	539 120220....	1 PIVOT, BRAKE ARM	20..	872 140610....	1 RHSNB 3/8-16 x 1¼
7..	525 485602....	1 HANDLE, BRAKE	21..	539 976979....	2 NUT 3/8-16 HEX NYLOC
8..	525 580201....	2 BELLCRANK, BRAKE	22..	873 800500....	2 NUT 5/16-18 HEX NYLOC
9..	525 580301....	1 ROD, BRAKE	23..	539 200282....	1 NUT 3/8-16 HEX JAM NYLOC
10..	532 196492....	1 GRIP, LIFT HANDLE	24..	539 102843....	1 WASHER 7/16 SPRING DISK
11..	539 120921....	1 GRIP, BRAKE HANDLE	25..	819 141614....	6 WASHER 3/8 FLAT STD
12..	539 112308....	2 SWIVEL, BRAKE	26..	819 111116....	6 WASHER 5/16 SAE FLAT
13..	539 118179....	2 SWIVEL	27..	539 133007....	1 WASHER, .825 WAVE
14..	539 101224....	2 SPRING				

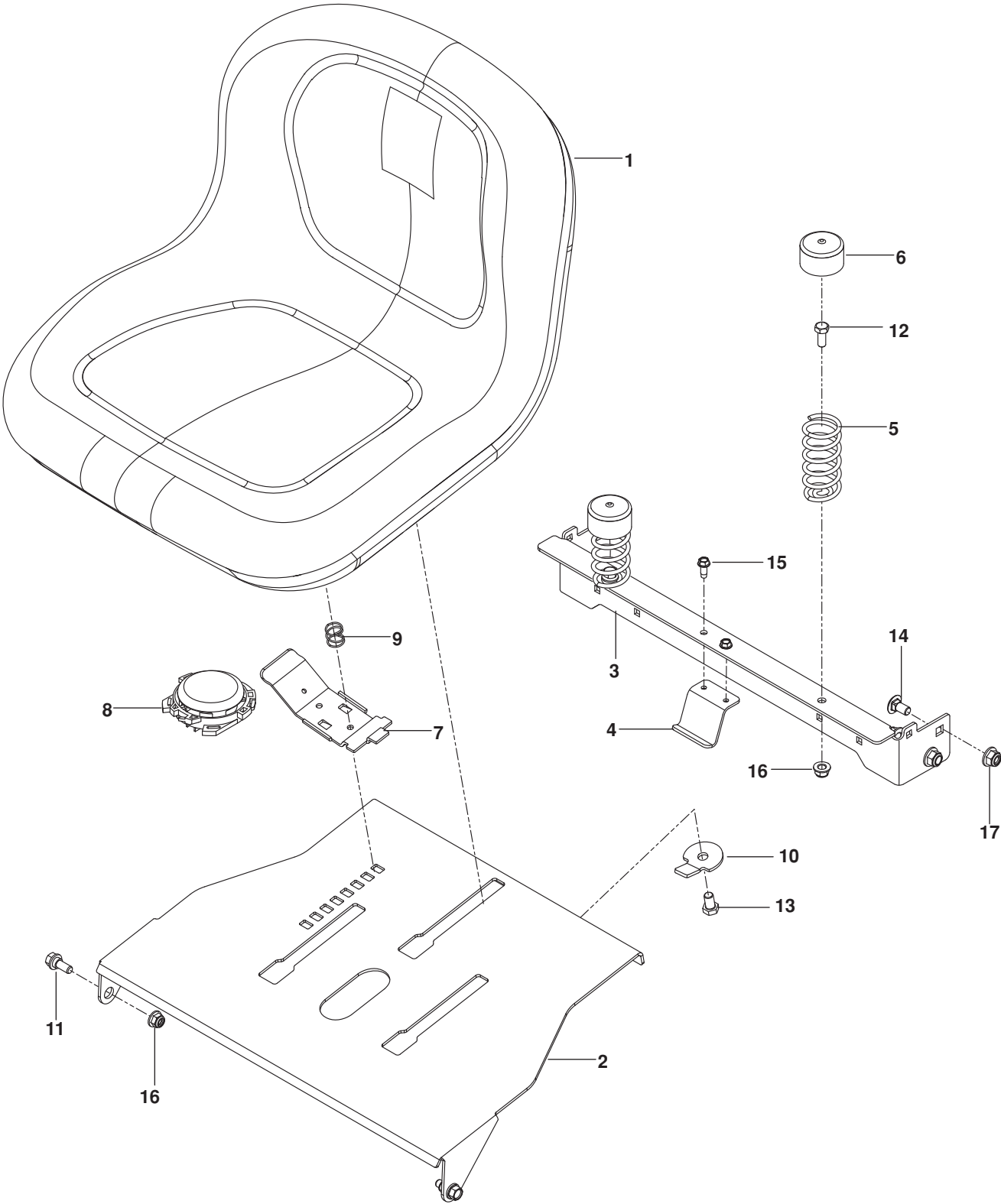
MOWER DECK / CUTTING DECK



MOWER DECK / CUTTING DECK

ITEM	PART NO.	QTY.	DESCRIPTION	ITEM	PART NO.	QTY.	DESCRIPTION
1..	574 453401....	1	DECK w/ SAFETY DECALS	27..	532 415598....	1	WASHOUT PORT
2..	532 199791....	1	PULLEY, MANDREL	28..	539 976988....	1	HAIRPIN COTTER
3..	532 175820....	1	PULLEY, IDLER	29..	539 976989....	2	HAIRPIN
4..	539 110311....	1	PULLEY, DECK IDLER	30..	539 110736....	1	PIN, CLEVIS ⁵ / ₁₆
5..	532 173902....	1	IDLER, V-GROOVE	31..	532 193003....	1	BOLT/WASHER
6..	573 970402....	1	COVER, PULLEY	32..	539 990701....	1	BOLT ³ / ₈ -16 x 1 ³ / ₄ WHIZLK
7..	532 400140....	1	KEEPER, BELT	33..	539 113621....	2	BOLT ³ / ₈ -16 x ³ / ₈ SKT HD
8..	532 420253....	2	KEEPER, BELT	34..	817 490624....	1	BOLT ³ / ₈ -16 x 1 ¹ / ₂ THD FRM
9..	525 851801....	1	GUIDE, BELT	35..	532 173984....	4	SCREW ⁵ / ₁₆ -18 WASHER HD
10..	585 053902....	1	ARM, IDLER BLK	36..	817 490408....	3	SCREW ¹ / ₄ -20 x ¹ / ₂ THDROLL
11..	532 199470....	1	ARM, LT BRAKE	37..	874 780632....	1	HCS ³ / ₈ -16 x 2
12..	532 419274....	1	BLADE, MOWER/MULCH	38..	525 848601....	1	RHSNB ³ / ₈ -16 x 4
13..	581 514301....	1	SWIVEL	39..	872 110505....	2	RHSNB ⁵ / ₁₆ -18 x ⁵ / ₈
14..	532 110485....	1	BEARING, BALL	40..	873 350600....	1	NUT ³ / ₈ -16 HEX JAM
15..	532 192557....	1	BRACKET, DEFLECTOR	41..	573 975201....	1	NUT ⁷ / ₁₆ -20 HEX NYLOC
16..	532 195740....	1	LINK, SUSPENSION	42..	532 400234....	1	NUT ⁹ / ₁₆ TOP CNTRLK
17..	532 199092....	1	SPACER RETAINER	43..	539 112899....	2	NUT ⁵ / ₁₆ -18 HEX FLG NYLOC
18..	525 848801....	1	SPACER 2 ¹ / ₄	44..	521 996501....	5	NUT ³ / ₈ -16 HEX FLG NYLOC
19..	532 193216....	1	SPRING, RETURN	45..	819 131316....	1	WASHER ³ / ₈ SAE FLT
20..	532 178102....	1	SPRING, TORSION	46..	532 187690....	1	WASHER/SPACER
21..	532 192870....	1	MANDREL	47..	539 109562....	1	WASHER ³ / ₈ x ³ / ₄
22..	532 417344....	1	CHUTE, DISCHARGE	48..	819 171713....	1	WASHER ¹ / ₂ SAE
23..	532 192872....	1	SHAFT	49..	539 106504....	1	WASHER 1 ³ / ₄ x ¹ / ₄ HEAVY
24..	585 054001....	1	BELT, DECK	50..	819 141614....	2	WASHER ³ / ₈ FLAT STD
25..	532 195185....	2	ARM, DECK SUSPENSION	51..	539 104864....	2	WASHER ⁷ / ₁₆ FLAT
26..	532 416405....	1	COUPLING, QUICK DISC				

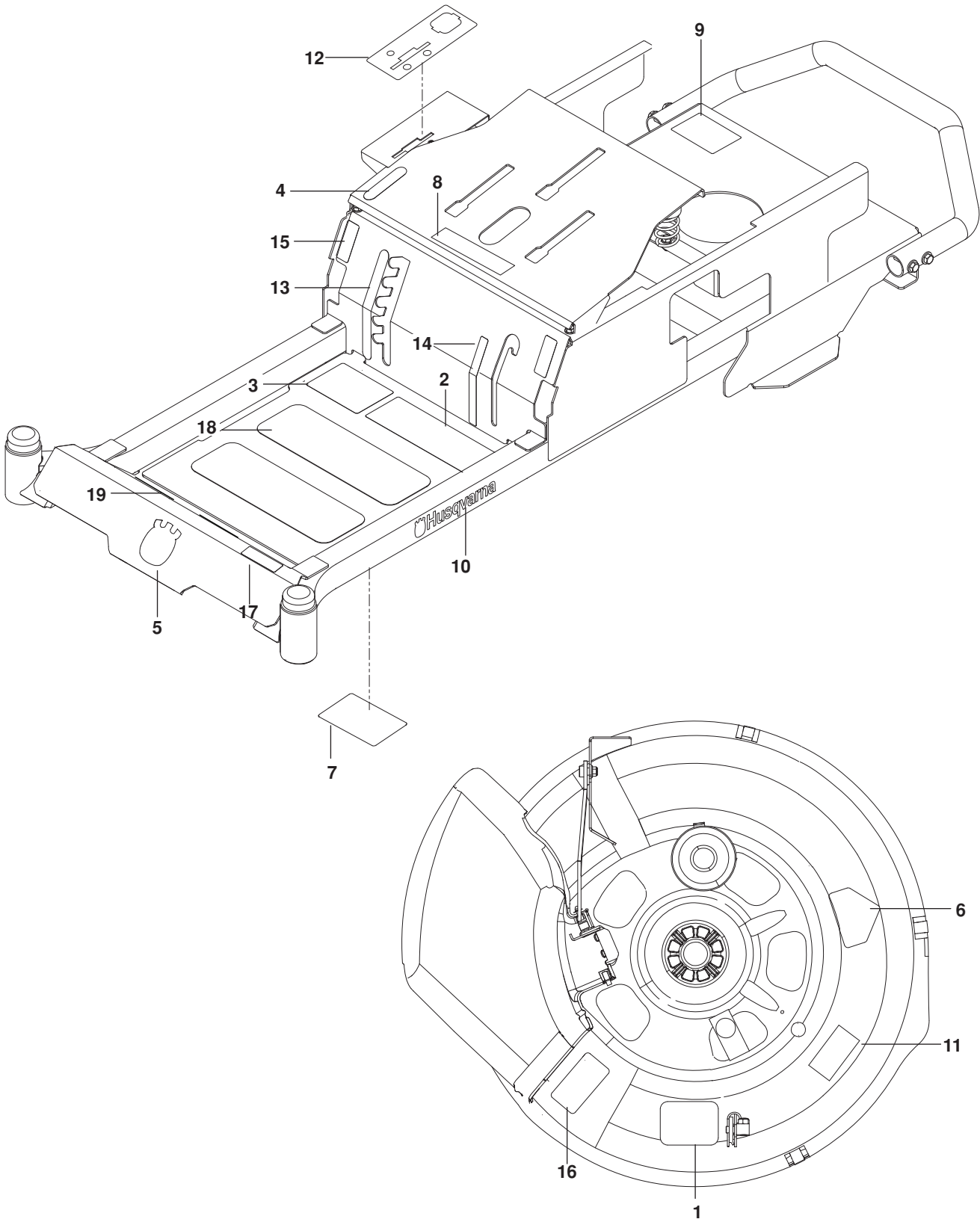
SEAT



SEAT

ITEM	PART NO.	QTY.	DESCRIPTION	ITEM	PART NO.	QTY.	DESCRIPTION
1..	532 439822....	1 SEAT	10..	574 191002....	1 STOP, SEAT BLK
2..	525 580002....	1 PLATE, SEAT ORG	11..	539 110303....	2 BOLT $\frac{5}{16}$ -SHOULDER
3..	525 464602....	1 SUPPORT, REAR SEAT ORG	12..	874 780512....	2 HCS $\frac{5}{16}$ -18 x $\frac{3}{4}$
4..	525 864502....	1 BRACKET, FUEL TANK BLK	13..	874 780610....	1 HCS $\frac{3}{8}$ -16 x $\frac{5}{8}$
5..	539 122632....	2 SPRING, SEAT	14..	872 140606....	4 RHSNB $\frac{3}{8}$ -16 x $\frac{3}{4}$
6..	539 119884....	2 CAP, SPRING	15..	817 490410....	2 SCREW $\frac{1}{4}$ -20 x $\frac{5}{8}$ SLF TAP
7..	532 197661....	1 HANDLE, SEAT SLIDE	16..	539 112899....	4 NUT $\frac{5}{16}$ -18 FLANGE NYLOC
8..	539 132140....	1 SWITCH, SEAT N/C	17..	521 996501....	3 NUT $\frac{3}{8}$ -16 HEX FLG NYLOC
9..	532 198200....	1 SPRING, SEAT SLIDE				

DECALS

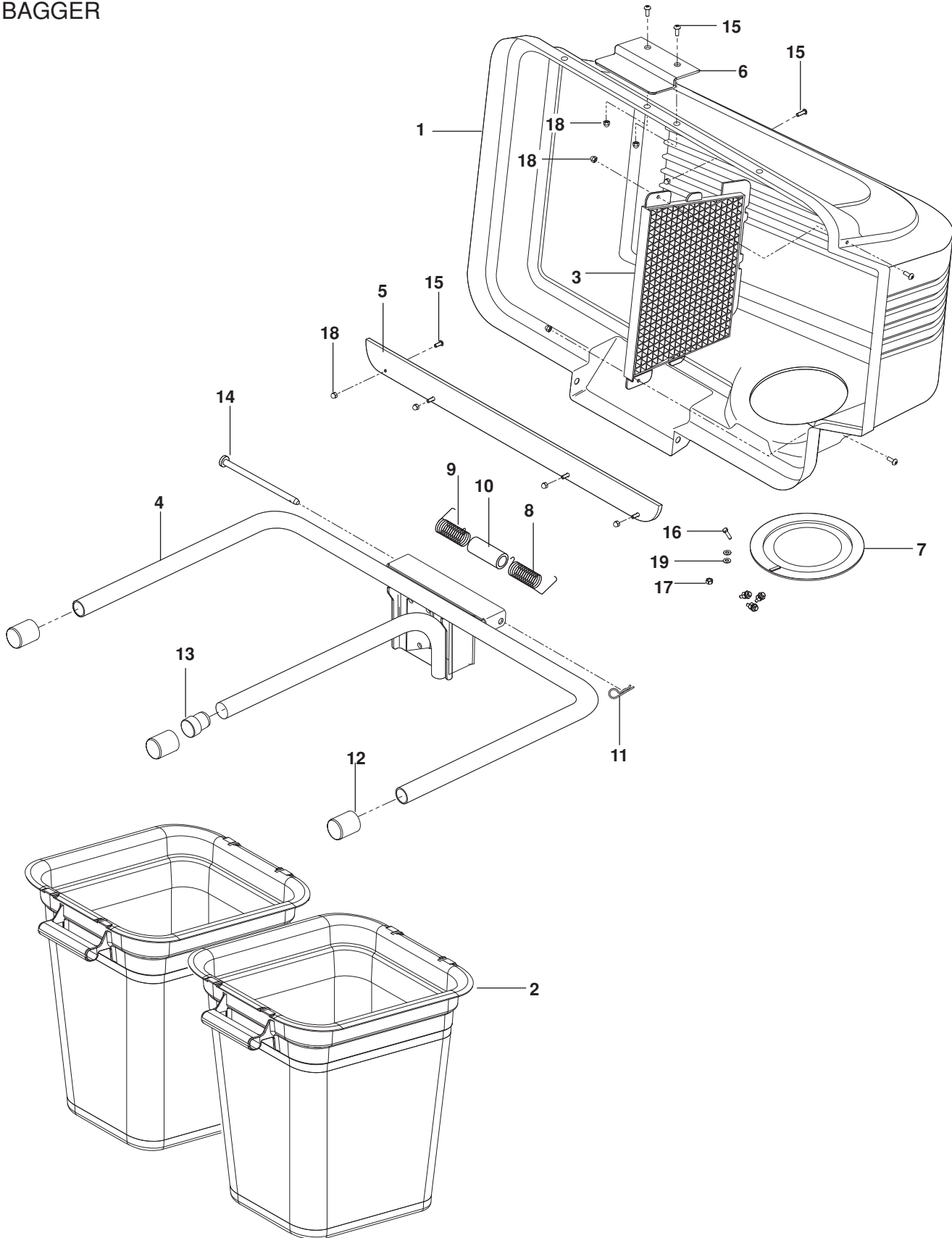


DECALS

ITEM	PART NO.	QTY.	DESCRIPTION	ITEM	PART NO.	QTY.	DESCRIPTION
1..	525 798501....	1	DECAL, BELT ROUTING	11..	539 105746....	1	DECAL, SEVERING
2..	539 109908....	1	DECAL, SAFETY WARNING	12..	585 984901....	1	DECAL, CONTROL PANEL
3..	539 113213....	1	DECAL, WARNINGS	13..	525 814201....	1	DECAL, DECK HEIGHT
4..	539 120006....	1	DECAL, PARK BRAKE	14..	525 814301....	1	DECAL, BLADE ENGAGE
5..	532 428676....	1	DECAL, CROWN	15..	539 103333....	2	DECAL, MOTION CONTROL
6..	539 913010....	1	DECAL, BLADE WARN	16..	539 113224....	1	DECAL, DEFLECT CAUTION
7..	539 109897....	1	DECAL, SERVICE	17..	525 803301....	1	DECAL, RZ3016
8..	539 105745....	1	DECAL, BATTERY WARNING	18..	539 977778....	2	PAD, ABRASIVE
9..	539 108385....	1	DECAL, DO NOT TOW	19..	539 121322....	2	PAD, FOOT
10..	532 429196....	2	DECAL, HUSQVARNA				

ACCESSORIES

BAGGER

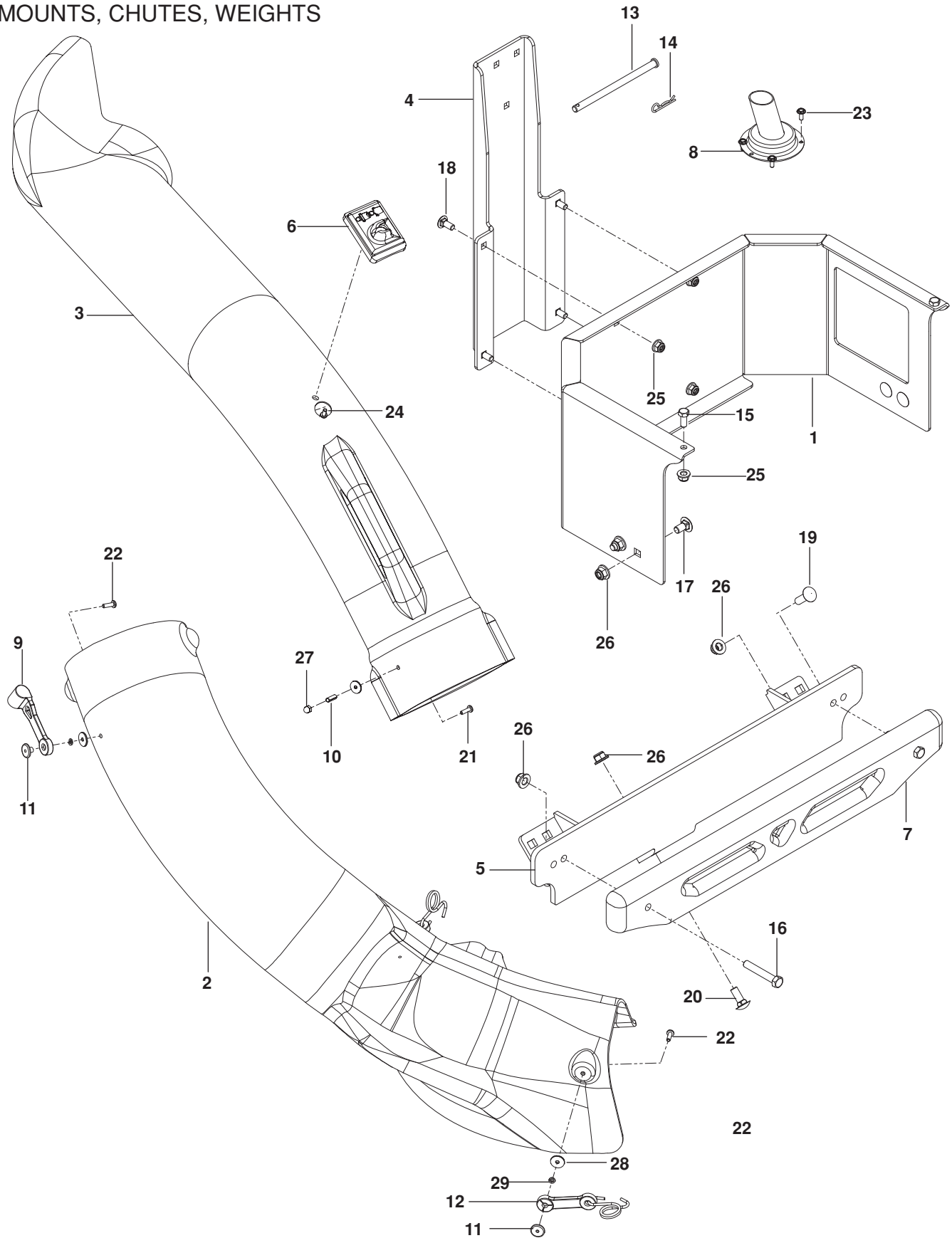


ACCESSORIES

ITEM	PART NO.	QTY.	DESCRIPTION	ITEM	PART NO.	QTY.	DESCRIPTION
1..	539 111139....	1	COVER ASSY, COMPLETE	11..	539 108096....	1	HAIRPIN, RETAINER
2..	532 400226....	2	CONTAINER, SOFT BAG	12..	539 108097....	3	CAP, TUBING END
3..	532 127533....	1	SCREEN, COVER	13..	522 801301....	1	SPACER PLUG
4..	532 179746....	1	BAGGER, FRAME	14..	532 192786....	1	PIN, HINGE
5..	532 155042....	1	STRIP, REINFORCEMENT	15..	539 976952....	9	SCREW #10-24 x 5/8
6..	532 130895....	1	LATCH HANDLE, COVER	16..	539 106312....	4	SCREW #10-24 x 3/4
7..	532 127534....	1	GASKET	17..	539 976977....	4	NUT #10-24 HEX NYLOC
8..	532 132796....	1	SPRING, COVER LH	18..	539 108086....	9	NUT #10-24 ACORN
9..	532 132983....	1	SPRING, COVER RH	19..	539 105408....	8	WASHER #10 FLAT
10..	532 133235....	1	SPACER, COVER				

ACCESSORIES

MOUNTS, CHUTES, WEIGHTS

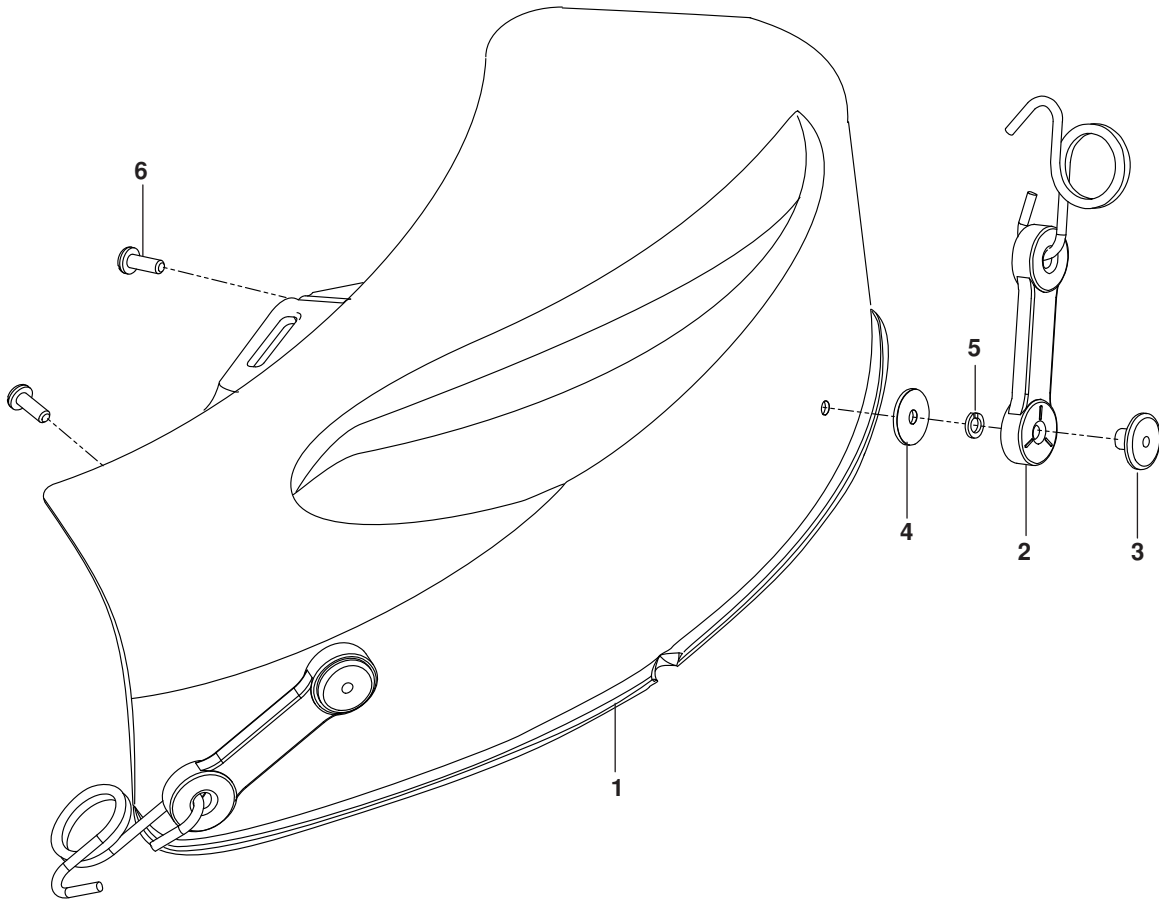


ACCESSORIES

ITEM	PART NO.	QTY.	DESCRIPTION	ITEM	PART NO.	QTY.	DESCRIPTION
1..	574 031003....	1 GUARD, REAR	16..	539 990629....	2 HCS $\frac{3}{8}$ -16 x 2 $\frac{1}{4}$
2..	573 975801....	1 CHUTE, LOWER	17..	539 111785....	4 RHSNB $\frac{3}{8}$ -16 x $\frac{3}{4}$
3..	539 108141....	1 CHUTE, UPPER	18..	539 990316....	4 RHSNB $\frac{5}{16}$ -18 x $\frac{3}{4}$
4..	574 031102....	1 BRACKET, HANGER	19..	539 990645....	1 RHSNB $\frac{3}{8}$ -16 x 1
5..	574 255502....	1 BRACKET, WEIGHT	20..	539 100413....	2 RHSNB $\frac{3}{8}$ -16 x 1 $\frac{1}{4}$
6..	539 108082....	1 BAG INDICATOR	21..	539 108083....	1 SCREW #10- 24 x 1 $\frac{1}{8}$
7..	539 113177....	1 CAST WEIGHT	22..	539 976952....	3 SCREW #10-24 x .625
8..	539 131601....	1 EXTENSION, MUFFLER	23..	539 115537....	4 SCREW, HEX WASHER HD
9..	539 108088....	1 LATCH, HOOD	24..	539 108081....	1 SCREW, SPECIAL #10-14 x $\frac{1}{2}$
10..	539 108085....	1 SPACER, SPLIT	25..	539 112899....	6 NUT $\frac{5}{16}$ -18 HEX FLG NYLOC
11..	539 108089....	3 WELDNUT, PLATED	26..	521 996501....	9 NUT $\frac{3}{8}$ -16 HEX FLG
12..	539 108194....	2 LATCH ASSY	27..	539 108086....	1 NUT #10- 24 ACORN
13..	539 110736....	1 PIN, CLEVIS $\frac{5}{16}$ x 5.19	28..	539 108084....	3 WASHER $\frac{3}{16}$ x $\frac{3}{4}$ x 16 GA
14..	539 976988....	1 COTTER HAIRPIN	29..	539 109552....	3 WASHER $\frac{3}{16}$ LOCK
15..	539 976934....	2 HCS $\frac{5}{16}$ -18 x $\frac{3}{4}$				

ACCESSORIES

MULCH KIT



ACCESSORIES

ITEM	PART NO.	QTY.	DESCRIPTION	ITEM	PART NO.	QTY.	DESCRIPTION
1..	532 421717....1	COVER	4..	819 031216....2	WASHER
2..	532 160793....2	LATCH ASSY	5..	810 071000....2	WASHER LOCK
3..	539 108089....2	WELDNUT, PLATED	6..	871 081010....2	SCREW

